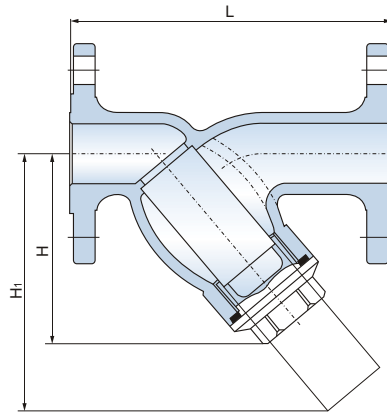
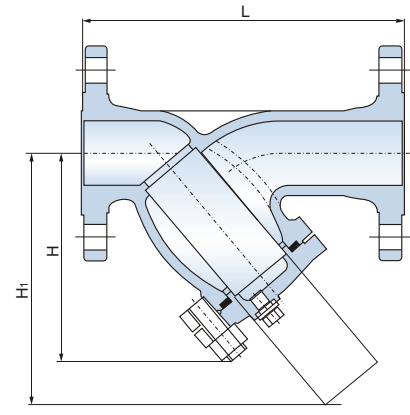



CLASS150-CLASS300&JIS 10K-JIS 20K CAST STEEL Y STRAINER


NPS ≤ 1 1/4



NPS ≤ 1 1/2

Standards

End flange dimension: ASME B16.5 or JIS B2238.

Pressure-temperature ratings: ASME B16.34.

Size		Class 150.JIS 10K			Weight (Kg)	Class 300.JIS 20K			Weight (Kg)
		Dimensions(mm)				Dimensions(mm)			
NPS	DN	L	H	H1	L	H	H1	Weight (Kg)	
3/4	15	108	67	92	2	152	70	95	3
1/2	20	117	73	105	2	178	80	110	4
1	25	127	87	117	3	203	92	120	5
1 1/4	32	140	100	138	4	216	105	142	7
1 1/2	40	165	123	150	5	229	128	155	9
2	50	220±2	147	179	13	234±2	152	184	16
2 1/2	65	255±1.6	180	232	15	271	185	236	20
3	80	278±2	198	263	18	298	204	266	24
4	100	325±2	234	337	22	341	240	340	30
5	125	365±2	274	383	42	387	280	386	50
6	150	405±2	314	452	50	427	320	456	70
8	200	495±2	400	555	91	521	410	560	115
10	250	610±6	512	725	205	644	530	730	270
12	300	870	581	870	297	870	600	875	380
14	350	950	633	933	394	950	650	938	520